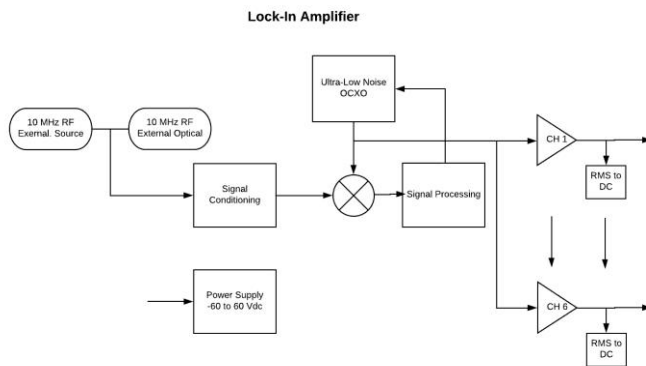


# NL2306

## Six-Channel 10 MHz Lock-In Amplifier

Ultra-Low Noise

### KEY FEATURES



A high-performance Lock-in or Clean-up amplifier that accepts a 10 MHz reference and locks-it to an ultra- low noise OCXO. The unit can include a GNSS locked reference or an external 10 MHz reference (RF or Optical). Six transient and fault protected outputs. Vibration isolated OCXO to minimize fan and other vibration induced noise. Operates from – 60 to +60 Vdc. RS232 port provides unit status.

### Product Highlights



### Six Channels

Six transient and fault protected channels.

### Multi-Sourced

External Reference, RF or 1300 nm Optical port or PPS

### Low Phase Noise

Phase Noise dBc/Hz	
Offset Hz	Phase noise
1	-85
10	-140
100	-150
1000	-160
10K	-160

DATA SHEET	NL2306
REVISION	A
DATE	050620

## Technical Specifications

10MHz sine	13 ±0.5 dBm ,50 Ohm - BNC
Harmonics	Less than -30 dBc
First year frequency stability	±50 ppb (long-term unlocked)
Temp stability	±10 ppb (long-term unlocked)
Yearly aging	±50ppb (long-term unlocked)
Phase noise	-85 @1 Hz
	-140@10 Hz
	-150 @100 Hz
	-160 @ 1000 Hz
Power requirements	Standard configuration is 12Vdc (9 to 15Vdc) Options- ±24Vdc (20 to 30Vdc), ±48Vdc (40 to 60Vdc) AC adapter available 100 to 240Vac, 50/60Hz
Connectors	BNC 10 MHz output
	SMA 10 MHz input
	Fiber Optic option- ST 1300nm single of Multi-mode

## Environmental and Mechanical

Operating temperature	0 to 50°C non-condensing (extended temperature range available)
Storage temperature	-40 to 70°C
Width	6.0 inches
Depth	6.0 inches exclusive of connectors
Height	1.58 inches
Weight	~0.75 lbs

This document is copyright © May 6, 2020 Novus Power Products LLC. All rights reserved. This document is provided for information purposes only; contents are subject to change without notice. It is not warranted to be error-free, nor subject to any other warranties or conditions including implied warranties and conditions of merchantability or fitness for a particular purpose.