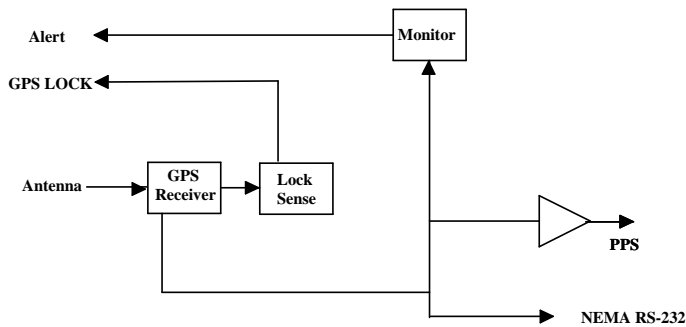


Company Datasheet #	NR-3620-LT
Revision #:	C
Date:	07072020

NR3620-LT

NMEA- PPS Source

KEY FEATURES



The NR3620-LT is for those applications not requiring a 10 MHz sine but rather require access to the PPS signal and/or RS232 NEMA data. The NEMA data allows time stamping, location and other uses. The PPS signal can be used for testing, timing were a high accuracy timing signal is required. Eliminating the Sine output and lowers cost for those applications not needing the output. There is extensive built- in test that drives an LED and relay contacts for system integration. There is also a GPS lock status signal (and LED). There are options that extend the power operating range from -60 vdc to +60 vdc.

Product Highlights



High Sensitivity GPS Receiver

The 26 channel GNSS receiver is a high correlator design that can perform very rapid sky searches for satellite signals even under very poor signal conditions.

Features

- Cost effective source-NEMA and Timing
- Built in test alarms
- GPS lock indicator and signal

Company Datasheet #	NR-3620-LT
Revision #:	C
Date:	07072020

Technical Specifications

PPS	
Amplitude for 1PPS	3.3 Vdc CMOS (5 Vdc option)
Pulse width for 1PPS	Programmable 1 to 500ms in 1 ms steps
Rise time for 1PPS	<10 ns (faster edge available)
Connector	sma
Load Impedance	50 Ohm
Location	rear
Remote interface & control	
Protocol	RS232 NMEA-0183
Connector	DB-9
Location	Rear panel
Protocol	Bit plus stop
Standard Baud Rates	Selectable 4800, 9600, 19200, 38400, 57600 or 115200 bps
GNSS receiver	
	GPS L1 C/A, GLONASS L1OF, QZSS L1 C/A, SBAS L1 C/A (Ready): Galileo E1B/E1C, QZSS L1S
Channels	26 channels (GPS, GLONASS, QZSS, SBAS)
Sensitivity	
GPS	Tracking: -161 dBm Hot Start: -161 dBm Warm Start: -147 dBm Cold Start: -147 dBm Reacquisition: -161 dBm
GLONASS	Tracking: -157 dBm Hot Start: -157 dBm Warm Start: -143 dBm Cold Start: -143 dBm Reacquisition: -157 dBm With Novus recommended antenna
Antenna with LNA	
Antenna power	3.5 Vdc, < 35 ma (on center conductor) (factory configurable to 5 Vdc)
Frequency	1574-1607 MHz
Nominal Gain	2 dBic
Amplifier gain	26 dB
Noise Figure	< 2.0 dB
Out of Band rejection	Fo±50MHz=60 dBc, Fo±60 MHz
DC current	<25 ma@3.5 Vdc



Company Datasheet #	NR-3620-LT
Revision #:	C
Date:	07072020

Options:		

Environmental and Mechanical

Operating temperature	0 to 50C non-condensing (extended temperature range available)	
Storage temperature	-40 to 70C	
Width	4 inch (exclusive of connectors)	
Depth	5 inch	
Height	1.5 in	
Weight	~16 oz	

This document is copyright © July 7, 2020 Novus Power Products LLC. All rights reserved. This document is provided for information purposes only; contents are subject to change without notice. It is not warranted to be error-free, nor subject to any other warranties or conditions including implied warranties and conditions of merchantability or fitness for a particular purpose.