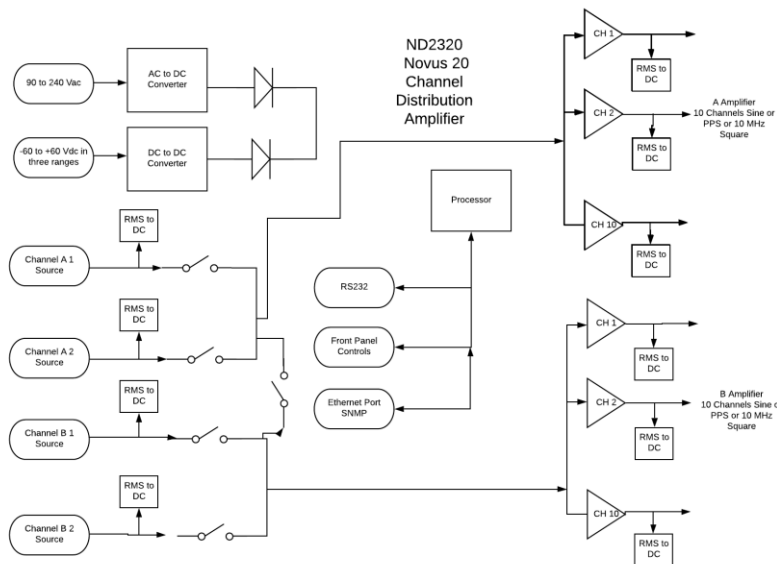


Company Datasheet #	ND2320D
Revision #:	D
Date:	081921

ND2320D

20 Channel Platform provides system Flexibility



Networking

SNMP option

Configurable

Each 10 channel bank can be PPS, 10 MHz sine or pulse

Dual Sources

Automatically selects the valid source

20 Channel platform provides complete flexibility for the system designer. Two ten channel amplifiers can be 10 MHz Sine, 10 MHz square or PPS. Mix and match to have 10 channels of sine and 10 channels of PPS. Transient and fault protected.

Technical Specifications

Output Sine	10 MHz 1 Vrms ± 0.2 , into 50 Ohms, 10 channels, Sine
Harmonic Distortion	< -30 dBc
Connectors	SMA connectors
Typical Phase Noise	
Offset	
1 Hz	-115 dBc/Hz
10 Hz	-140 dBc/Hz
100 Hz	-155 dBc/Hz
1kHz	-155dBc/Hz
10 kHz	-155 dBc/Hz
10 MHz Square	
Amplitude	3.3 Vdc CMOS (5 Vdc option) 50 Ohm load
Rise/Fall times	<5 ns
Amplitude for 1PPS	3.3 Vdc CMOS (5 Vdc option) 50 Ohm load
Rise time for 1PPS	<1 ns
Fall Time	<1 ns
Channel Skewing	< 100 ps typical < 60 ps
Timing rms jitter	< 10 ps
Latency	< 30ns
Remote interface & control	
Protocol	RS232 NMEA-0183
Connector	DB-9
Location	Rear panel
Protocol	Bit plus stop
Standard Baud Rates	Selectable 4800, 9600, 19200, 38400, 57600 or 115200 bps
SNMP (option)	
Remote monitoring & control	Internet
Parameters monitored Locally – present on remote interface for monitoring	Output amplitude, all power supplies, Built-In test status,
Transaction/decodable commands	English format
Single monitoring command	Updated every second



Company Datasheet #	ND2320D
Revision #:	D
Date:	081921

Connector	RJ-45
-----------	-------

Environmental and Mechanical

Operating temperature	0 to 50C non-condensing	
Storage temperature	-40 to 70C	
Height	1RU (~1.73)	
Width	19 inch	
Depth	12 inch	
AC input	90 to 250 VAC, 50/60hz, less than 10 watts	
Weight	≈5.5lbs	

This document is copyright © August 19, 2021 Novus Power Products LLC. All rights reserved. This document is provided for information purposes only; contents are subject to change without notice. It is not warranted to be error-free, nor subject to any other warranties or conditions including implied warranties and conditions of merchantability or fitness for a particular purpose.