

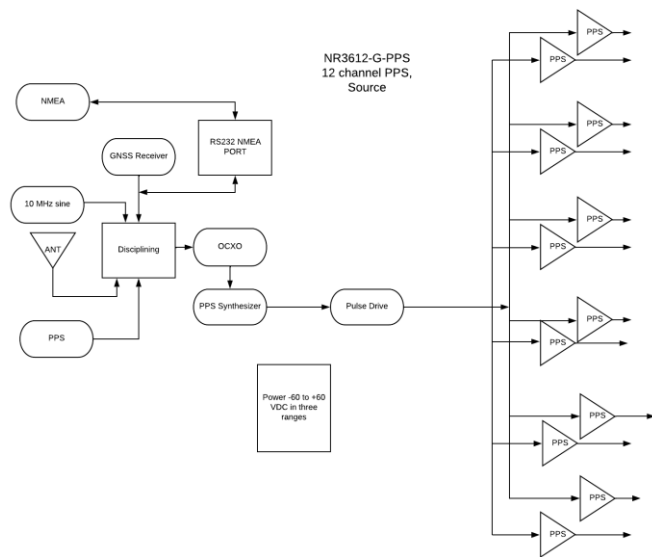
DATA SHEET	NR3612-G-PPS
REVISION	A
DATE	011625

NR3612-G-PPS

12-Channel PPS

With External Synchronization capability to PPS or 10 MHz

KEY FEATURES



Product Highlights



12 Channels of PPS

Transient and fault protected channels.

Versatile Power

-60 to +60 Vdc in three ranges

External Synchronization

Locks to GNSS or an external 10 MHz or PPS. User selectable priorities.

The NR3612-G-PPS is a high performance PPS twelve channel source.

PPS outputs can be 5 or 3.3 Volt logic levels with the capability of driving a 50 Ohm load. The unit may be optionally synced to an external 10 MHz or PPS signal. The priority for each timing source is user settable.

DATA SHEET	NR3612-G-PPS
REVISION	A
DATE	011625

Technical Specifications

PPS	
Amplitude for 1PPS	3.3 Vdc CMOS (5 Vdc option) \pm 100 mA
Pulse width for 1PPS	Programmable 1 to 500ms in 1 ms steps
Rise time for 1PPS	<5 ns (faster edge available)
Jitter	GNSS-PPS < 10ns SYTH-PPS <250 psec
Connector	SMA
Load impedance	50 Ohm
Location	front
GNSS receiver	
	GPS L1 C/A, GLONASS L1OF, QZSS L1 C/A, SBAS L1 C/A (Ready): Galileo E1B/E1C, QZSS L1S
Channels	26 channels (GPS, GLONASS, QZSS, SBAS)
Sensitivity	
GPS	Tracking: -161 dBm Hot Start: -161 dBm Warm Start: -147 dBm Cold Start: -147 dBm Reacquisition: -161 dBm
GLONASS	Tracking: -157 dBm Hot Start: -157 dBm Warm Start: -143 dBm Cold Start: -143 dBm Reacquisition: -157 dBm With Novus recommended antenna.
Antenna with LNA	
	26 channel receiver
Antenna power	3.5 Vdc, < 20 mA (on center conductor) (factory configurable to 5 Vdc)
Frequency	1574-1607 MHz
Nominal gain	2 dBic
Amplifier gain	26 dB
Noise figure	< 2.0 dB
Out-of-Band rejection	Fo \pm 50MHz=60 dBc, Fo \pm 60 MHz
DC current	<25 mA@3.5 Vdc

DATA SHEET	NR3612-G-PPS
REVISION	A
DATE	011625

Power requirements	Standard configuration is 12Vdc (9 to 15Vdc) Options- ± 24 Vdc (20 to 30Vdc), ± 48 Vdc (40 to 60Vdc) AC adapter available 100 to 240Vac, 50/60Hz
Connectors	SMA 10 MHz output BNC 10 MHz input (5 to 15 dBm)
RS232	DB9 female standard (male option available)
Power connector	4-pin power connector - power in. Mates with On-Shore Tech OSTTJ0411530.

Environmental and Mechanical

Operating temperature	0 to 50°C non-condensing (extended temperature range available)
Storage temperature	-40 to 70°C
Width	6.0"
Depth	6.0" (exclusive of connectors)
Height	1.58 "
Weight	~16 oz.

DATA SHEET	NR3612-G-PPS
REVISION	A
DATE	011625

This document is copyright © January 16, 2025 Novus Power Products LLC. All rights reserved. This document is provided for information purposes only; contents are subject to change without notice. It is not warranted to be error-free, nor subject to any other warranties or conditions including implied warranties and conditions of merchantability or fitness for a particular purpose.