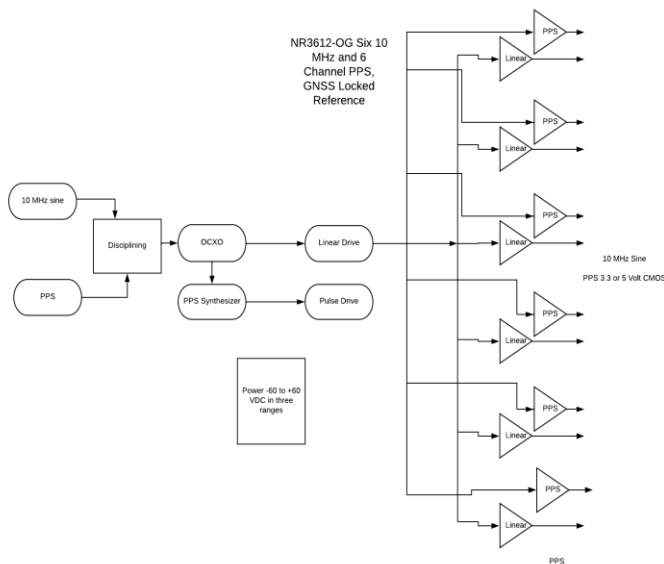


## NR3612-O

### 10 MHz Frequency Reference, OCXO, 6- Channel 10 MHz, 6- channels of PPS Simulator

#### KEY FEATURES



The NR3612-O is a high performance 10 MHz OCXO based frequency reference that features 6 channels of 10 MHz and 6 channels PPS

The 10 MHz outputs are 13 dBm while the PPS outputs can be 5 or 3.3 Volt logic levels with the capability of driving a 50 Ohm load. The unit may be optionally synced to an external 10 MHz or PPS signal. The priority for each timing source is user settable.

#### Product Highlights



#### Six Channels 10 MHz 6 channels of PPS

Transient and fault protected channels.

#### Versatile Power

-60 to +60 Vdc in three ranges

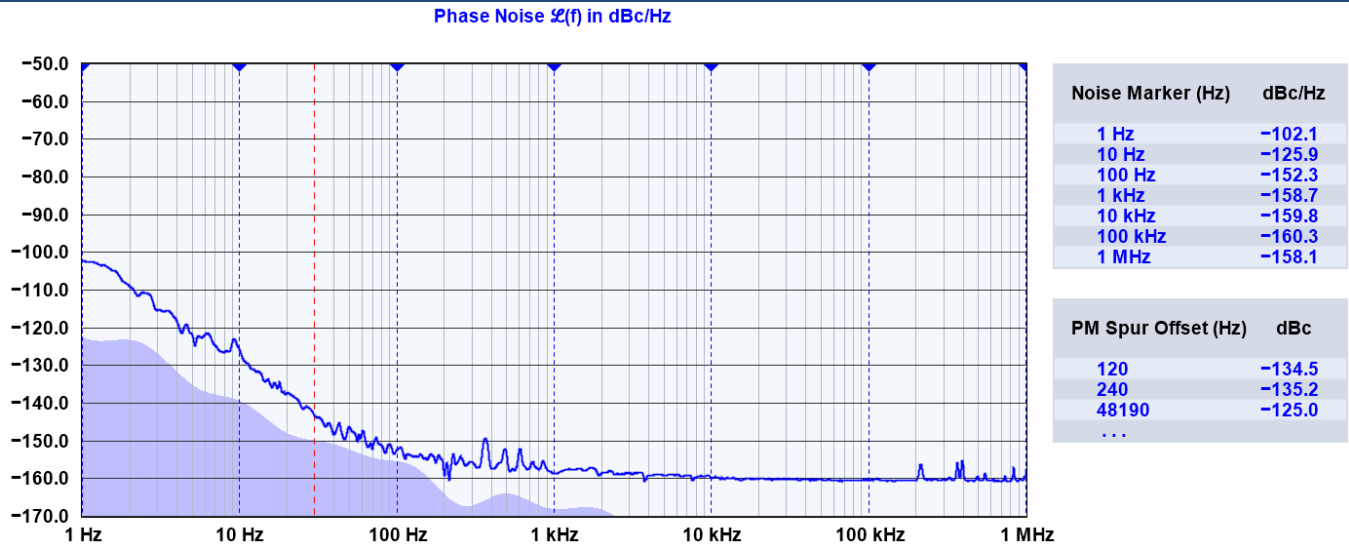
#### Low Phase Noise

Noise Marker (Hz)	dBc/Hz
1 Hz	-102.1
10 Hz	-125.9
100 Hz	-152.3
1 kHz	-158.7
10 kHz	-159.8
100 kHz	-160.3
1 MHz	-158.1

## Technical Specifications

<b>10MHz sine</b>	13 ±2 dBm, 50 Ohm BNC- 6 channels front
Harmonics	Less than -30 dBc
First year frequency stability	±50 ppb (unlocked)
Temperature stability	±10 ppb (unlocked)

### Representative Phase Noise Plot



Trace	Notes	Input Freq	dBc/Hz at 30 Hz	Duration	Elapsed	Acquired	Instrument
NR3612-O 24249000 Ch1		10.0 MHz	-143.4	3m 0s	3m 0s	36000 pts	Microchip 53100A

<b>PPS</b>	
Amplitude for 1PPS	3.3 Vdc CMOS (5 Vdc option) ±100 mA
Pulse width for 1PPS	Programmable 1 to 500ms in 1 ms steps
Rise time for 1PPS	<5 ns (faster edge available)
Connector	SMA
Load impedance	50 Ohm
Location	front
Power requirements	Standard configuration is 12Vdc (9 to 15Vdc) Options- ±24Vdc (20 to 30Vdc), ±48Vdc (40 to 60Vdc) AC adapter available 100 to 240Vac, 50/60Hz
Connectors	SMA 10 MHz output
	SMA PPS (3.3 Vdc CMOS)
RS232	DB9 female standard (male option available)

### Environmental and Mechanical



**PRECISION TIMING PRODUCTS**

**DATA SHEET**

NR3612-O

**DATE**

260623

Operating temperature	0 to 50°C non-condensing (extended temperature range available)
Storage temperature	-40 to 70°C
Width	6.0"
Depth	6.0" (exclusive of connectors)
Height	1.58 "
Weight	~16 oz.

This document is copyright © June 23, 2026 Novus Power Products LLC. All rights reserved. This document is provided for information purposes only; contents are subject to change without notice. It is not warranted to be error-free, nor subject to any other warranties or conditions including implied warranties and conditions of merchantability or fitness for a particular purpose.